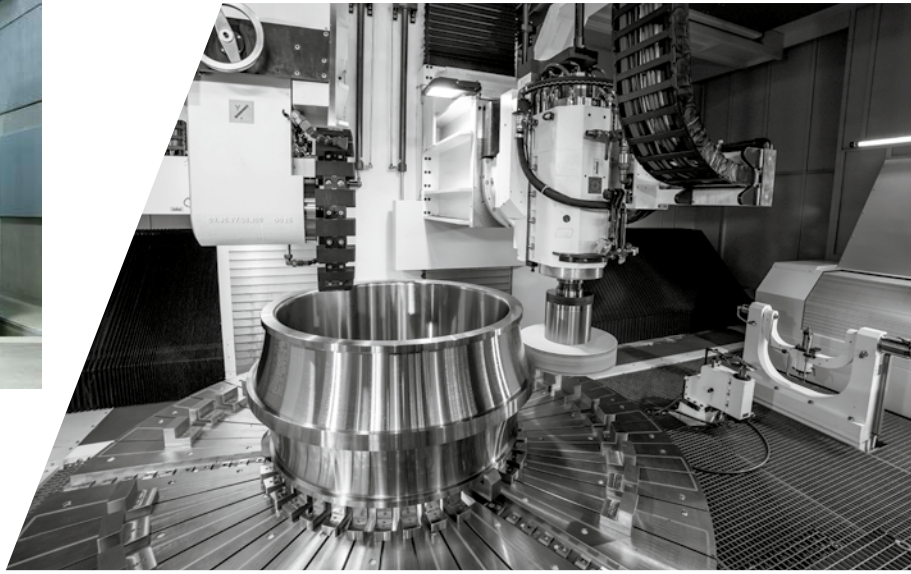
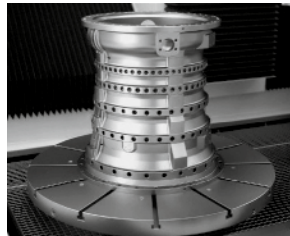
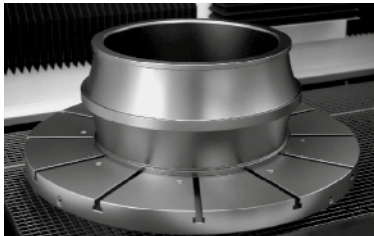


TRIEX

UNIVERSAL ROTARY TABLE GRINDING MACHINES



WORK PIECES UP TO MAX.
Ø 3000 MM AND HEIGHT 1500 MM



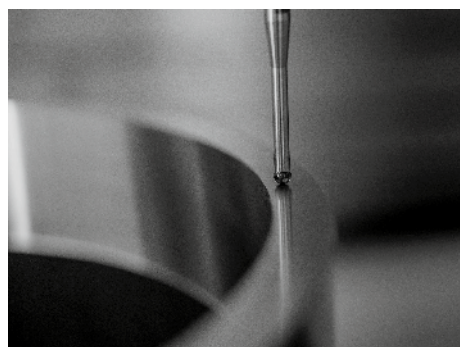
CYLINDRICAL GRINDING OF STATORS, BEARINGS, GEARS, ETC ...

- ✓ Highest precision, flexibility and performance
- ✓ Quick and variable retooling with tool changer
- ✓ Wide range of grinding applications for rotationally symmetrical work pieces
- ✓ Easy programming via parameter input

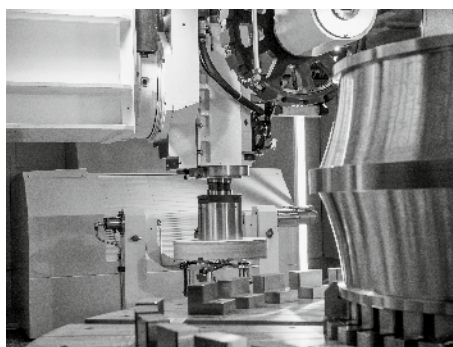
COMPLEX DESIGN OF THE MACHINE FOR THE MOST DEMANDING APPLICATIONS

HIGHLIGHTS TRIEX

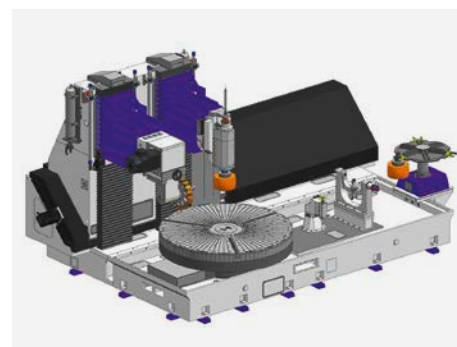
- ✔ Low-vibration and robust design
Up to 4 spindles possible
- ✔ Grinding performance of
- ✔ 7.5 – 60 kW
- ✔ The dressing spindle is right next to the rotary table
- ✔ Up to 5 axes CNC grinding centre
- ✔ Optional zero point clamping system
- ✔ Optional with turning, milling and measuring options
- ✔ Control (Siemens or Fanuc)
- ✔ Comprehensive software that is exactly adapted to your application
- ✔ Complete cover to protect the operator and the machine from external influences
- ✔ Additional equipment:
 - Suction unit (emulsion/dust)
 - Coolant system
 - Hydraulic power pack
- ✔ Air-conditioned switch cabinet
- ✔ Tool changer for flexible usage
- ✔ Operator panel to control and monitor the process



Measuring procedure with probe



Functional arrangement of the individual assemblies



Front view (without housing)

TECHNICAL DATA						
TRIEX	1600	1800	2000	2200	2400	3000
Table / magnet-Ø [mm]	1600	1800	2000	2200	2400	3000
Swing diameter Ø (mm)	1800	2000	2200	2400	2600	3400
Z-Axis / options [mm]	2200	2200	2200	2200	2200	2200
X-axis (with / without tool changer) [mm]	3300	3300	3300	3300	3300	5000
Tablespeed [1/min]	200	200	200	200	200	20
Guideway system	Guideways + recirculating roller bearings	Guideways + recirculating roller bearings	Guideways + recirculating roller bearings	Guideways + recirculating roller bearings	Guideways + recirculating roller bearings	Guideways + recirculating roller bearings

GET IN TOUCH WITH US TODAY
TOGETHER WE WILL FIND A SOLUTION
FOR YOUR REQUIREMENTS

REFORM GRINDING TECHNOLOGY GMBH

Phone: +49 661 4959 00

info@reform.de

www.reform.de